

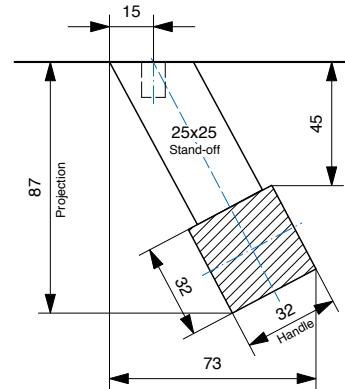
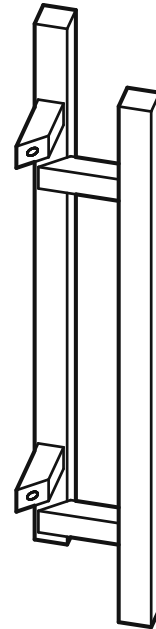


DDA Compliant - 316 Marine Grade Stainless Steel

CODE	SECTION	PROJECTION	LENGTH	CTC
BAH-141/A	32 x 32	87	400	200
BAH-141/B	32 x 32	87	500	300
BAH-141/C	32 x 32	87	600	400
BAH-141/D	32 x 32	87	700	500
BAH-141/E	32 x 32	87	800	600
BAH-141/F	32 x 32	87	900	700
BAH-141/G	32 x 32	87	1000	800
BAH-141/H	32 x 32	87	1100	900
BAH-141/I	32 x 32	87	1200	1000
BAH-141/J	32 x 32	87	1300	1100
BAH-141/K	32 x 32	87	1400	1200
BAH-141/L	32 x 32	87	1500	1300
BAH-141/M	32 x 32	87	1600	1400
BAH-141/N	32 x 32	87	1700	1500
BAH-141/O	32 x 32	87	1800	1600
BAH-141/P	32 x 32	87	1900	1700
BAH-141/Q	32 x 32	87	2000	1800
BAH-141/R	32 x 32	87	2100	1900
BAH-141/S	32 x 32	87	2200	2000
BAH-141/T	32 x 32	87	2300	2100
BAH-141/U	32 x 32	87	2400	2200

• Special sizes available upon request

FINISHES	
Standard:	SSS/PSS
Options:	Powdercoat Dulux
Electroplate:	SBN ORB BN CO

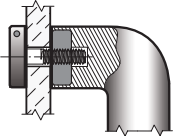


How to specify

Example:	PRODUCT CODE	LENGTH	FINISH	FIXING	DOOR TYPE
	BAH-141/A	400mm	SSS	B	GD

D = DISK FIX

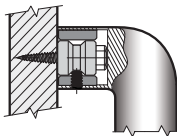
Disk fixed - Single



For Solid or Tube Handles

C = CONCEALED FIX

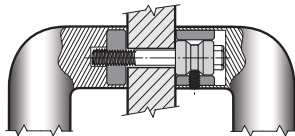
Coach Bolt fixed - Single



For Solid or Tube Handles

B = BACK to BACK FIX

Back to Back fixed - Pair



For Solid or Tube Handles

PLEASE SPECIFY THE DOOR TYPE

GD: Glass

TM: Timber

AL: Aluminium